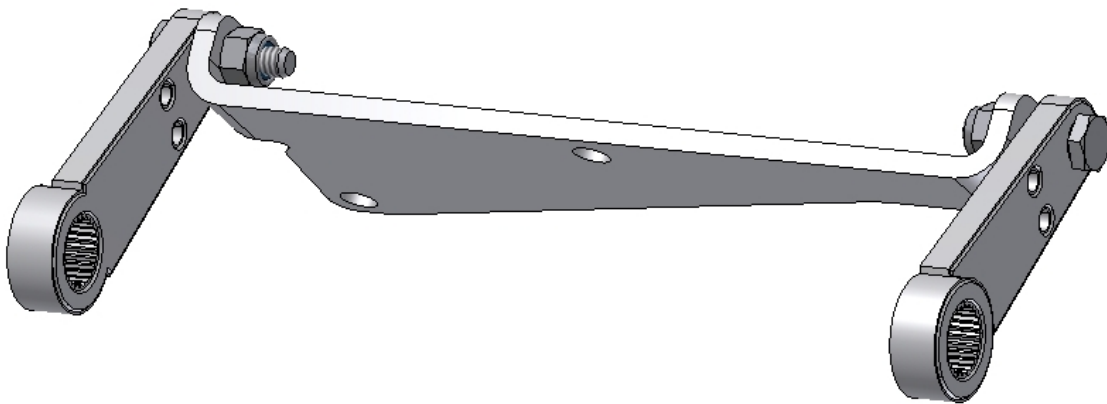


## Transaxle Replacement Instructions

1. Replace old transaxle with new.
2. Pull clip and remove brake actuator arm on **OLD** transaxle. (Be sure to note placement of arm on spline shaft).
3. Rotate arm towards front of mower 1-2 splines (or as necessary) and slide arm back on spline shaft.



4. Press both left and right arms forward by hand. Make it so both levers stop at the same point.



5. Reinstall brake crossover bracket with new bolts and nuts included in package. Install bolts from outside of arms so that the nuts are on the inside. (tighten  $\frac{1}{4}$ " nylock nut all the way down and then back it off  $\frac{1}{2}$  a turn to insure the crossover brake bracket pivots correctly).

## Lower Brake Cable Mounting Point (Transaxle Side)

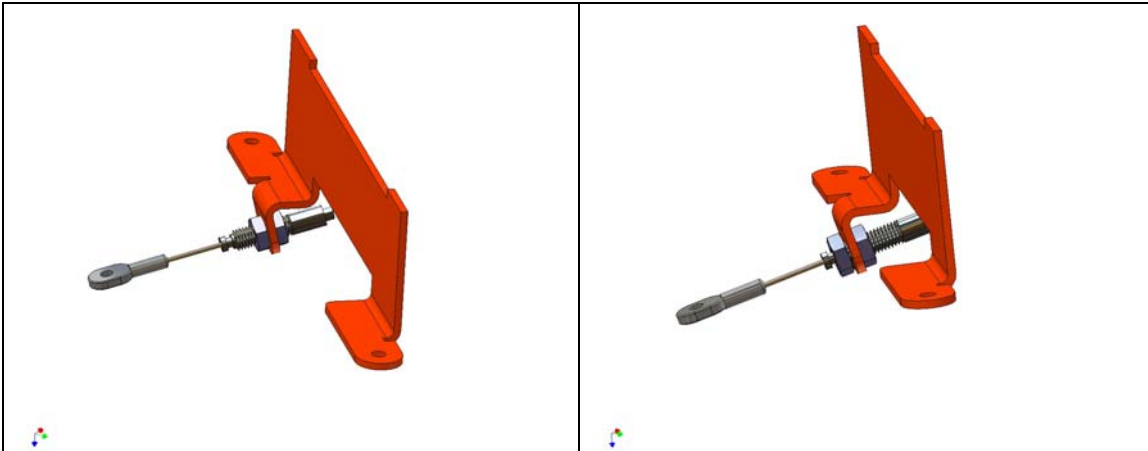


Figure 1

Figure 2

6. Change setup from figure 1 to figure 2. The end of the nut (on the outside) from figure 2 should be flush with the last thread.

## Upper Brake Cable Mounting Point (Seat Frame Side)

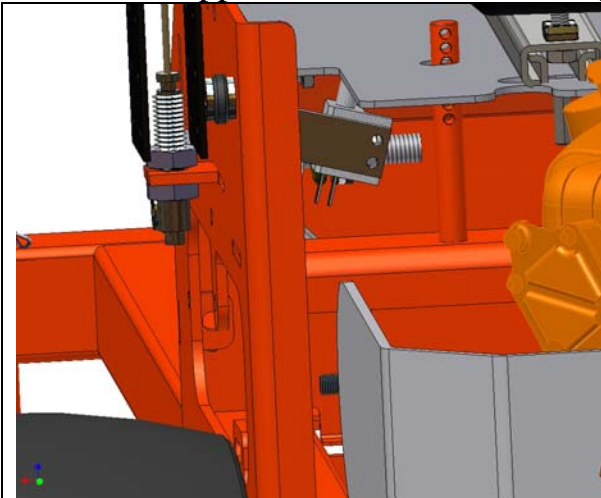


Figure 3

7. Remove fuel tank.
8. Adjust top of cable as shown from figure 3 to figure 4.
9. Reinstall tank.

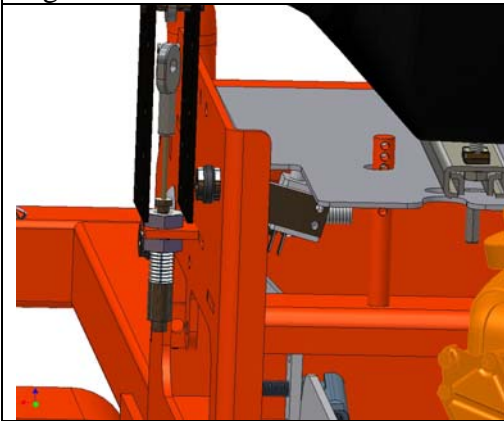


Figure 4